



Highfrequency



- for large-area shielding of high-frequency electromagnetic waves
- very good tear resistance with soft quality, antistatic, elastic
- 100 % textile properties
- elastic knitted fabric for a wide range of applications
- **Organic Cotton, kbA (controlled organic cultivation)**

- The New Antiwave quality is a right-left jacquard knit, in a combination of combed organic, certified organic cotton and silver coated polyamide

The coating does not consist of controversial nano-silver, but of 20 % pure silver that surrounds the entire polyamide fibre. The metallic silver is absolutely harmless to human health and to nature.

Pure silver has a natural antibacterial effect and can also have a positive effect on skin problems as well as excessive sweating and body odour.

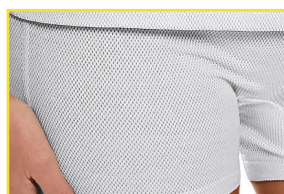
Thanks to the innovative fabric construction and the use of high-quality materials, this knitted fabric protects against electromagnetic radiation with an efficiency of > 99 %. This is confirmed by an expert opinion by the EMF test lab Bavaria.

Particularly suitable for making linen, pillowcases, blankets, etc.

New Antiwave is a particularly easy-care quality. A high-quality finish ensures that the shielding property is retained even after several washes. Due to the antibacterial effect of the silver, washing at 30 - 40 °C is sufficient.

Order-No.: 101064, 100971, 100972, 100973

Short-Desc.: AW Woman-Short - S, M, L, XL



Shielding knitted fabric

New Antiwave - Woman-Shorts

Type	MHz	dB	in %
DVB-T2	470 - 690	26	> 99,0
LTE / 5G wide	700 - 750	26	> 99,0
GSM, LTE	920 - 960	26	> 99,0
GSM, LTE	1800 - 1880	23	> 99,0
DECT	1880 - 1900	23	> 99,0
LTE, 5G wide	2110 - 2170	21	> 99,0
W-LAN 2400	2400 - 2500	20	~ 99,0
5G fast	3400 - 3700	17	~ 98,0
W-LAN 5200	5150 - 5350	13	~ 95,0

Technical data

available sizes:	S, M, L, XL ≈ 36/38, 40/42, 44/46, 48/50
thickness:	ca. 0,5 mm ± 10 %
colour:	light grey / silver
basis weight:	ca. 145 g/m ²
mesh size:	< 0,1 mm x 0,1 mm opaque
composition:	89 % Cotton (Organic) 9 % Polyamide 2 % Silver
properties:	very good tear resistance with soft quality, antistatic, elastic
wash cycles:	~ 40 x
basis of examination:	IEEE Standard 299™-2006
shielding effectiveness:	max. 26 dB (> 99 %)

Care instructions

	particularly gentle washing (delicate or wool wash cycle at 30 or 40 °C)
	gentle ironing on level 1 (iron at low temperature)
	bleaching not allowed No detergents with bleach
	do not tumble dry
	no dry cleaning

Scope of application

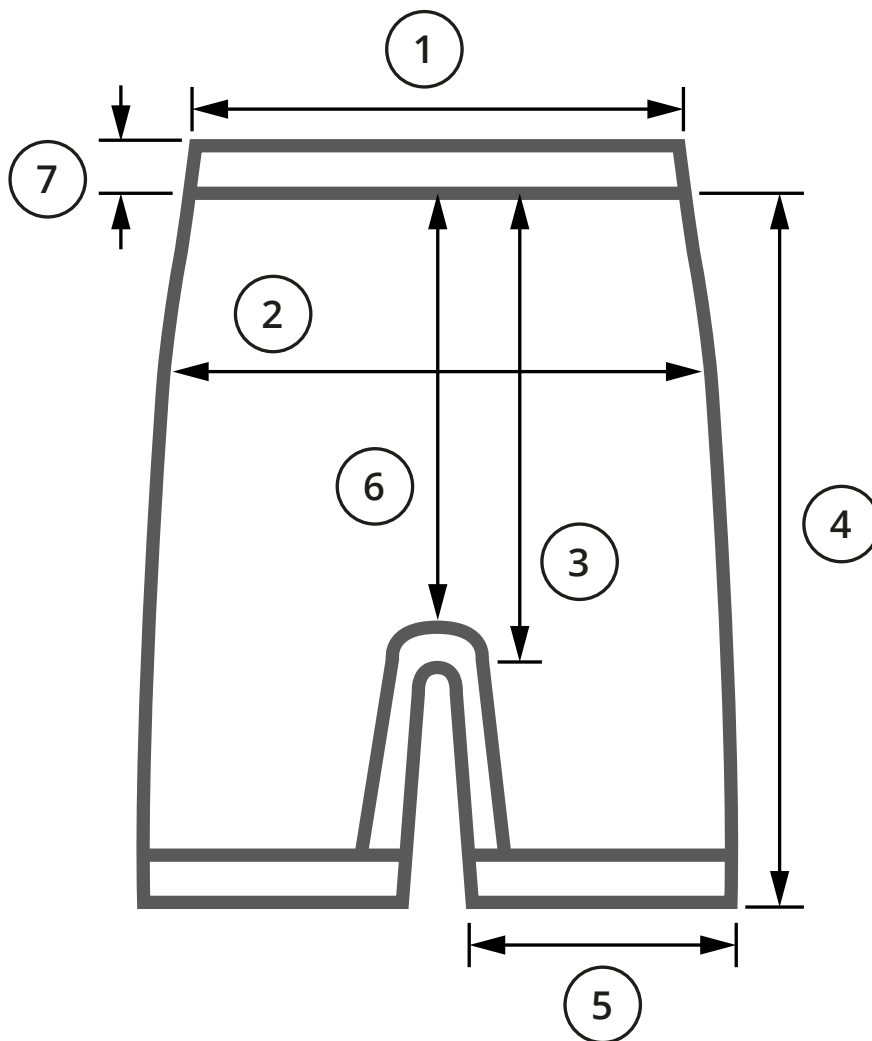
public areas, home
can be used as outerwear or underwear



New Antiwave - Size/Dimensions

Woman-Shorts

No.	Dimensions (in cm)	S 36/38	M 40/42	L 44/46	XL 48/50	Tol ±
1.	Waist size	30	31	33	36	3 %
2.	Hip size	39	41	43	47	3 %
3.	Rise	30	33	33	35	3 %
4.	Length side	34	34	36	38	3 %
5.	Leg width	23	24	25	27	3 %
6.	Length front	22	23	24	25	3 %
7.	Waistband	2,5	2,5	2,5	2,5	3 %

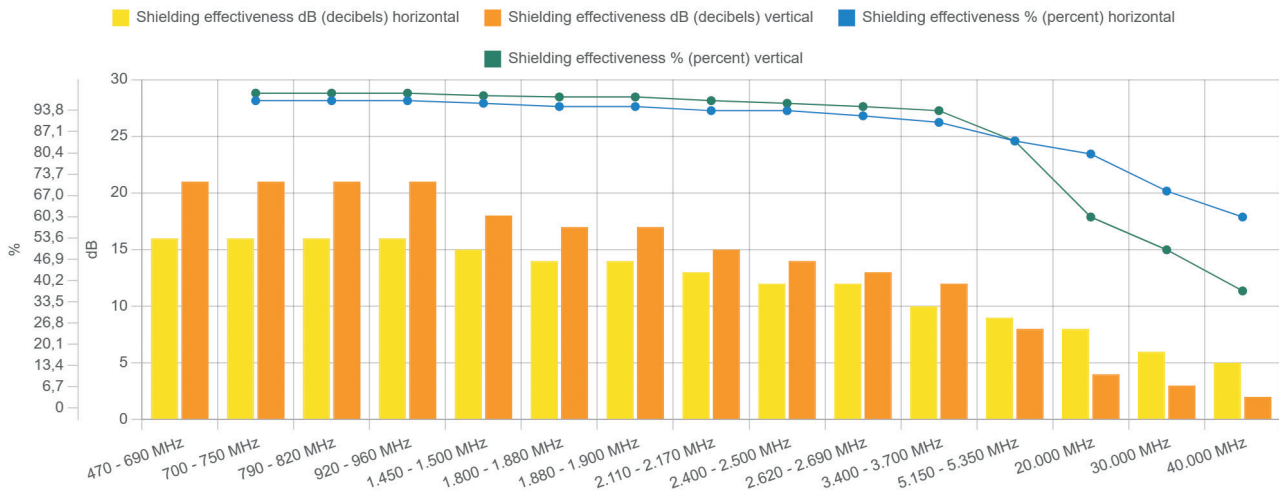




Type	MHz	Description
DVB-T2	470 - 690	digital video broadcasting - terrestrial, 2nd generation, TV via antenna
LTE / 5G wide	700 - 750	from 4G, now 5G NR without beamforming / MIMO
GSM, LTE	920 - 960	from 2G - D1, now 5G NR without beamforming / MIMO
GSM, LTE	1800 - 1880	from 2G - D2, E network, now 5G NR without beamforming / MIMO
DECT	1880 - 1900	wireless phone
LTE, 5G wide	2110 - 2170	from 3G, formerly UTMS, now 5G NR without beamforming / MIMO
W-LAN / WiFi 2400	2400 - 2500	wireless LAN
5G fast	3400 - 3700	5G NR - new frequency band with beamforming / MIMO
W-LAN / WiFi 5200	5150 - 5350	wireless LAN

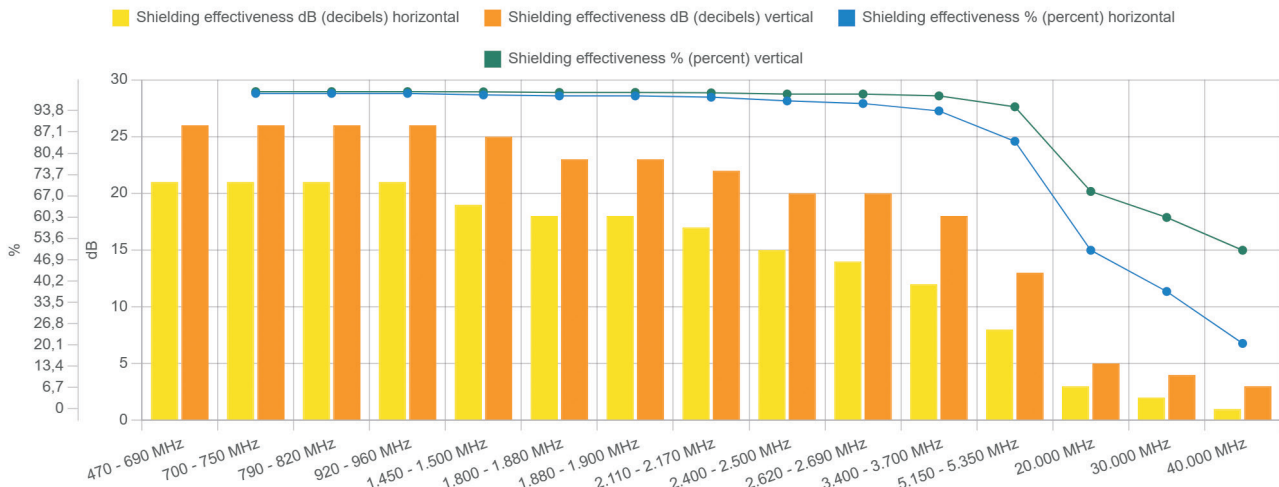
Shielding values according to test report: EMF Test Lab Bavaria

Shielding effectiveness - Antiwave OC white - unstretched - 470 MHz to 40.000 MHz (40 GHz)



1.000 MHz = 1 GHz -/- (according to test report EMF Test Lab Bavaria)

Shielding effectiveness - Antiwave OC white - stretched - 470 MHz to 40.000 MHz (40 GHz)



1.000 MHz = 1 GHz -/- (according to test report EMF Test Lab Bavaria)